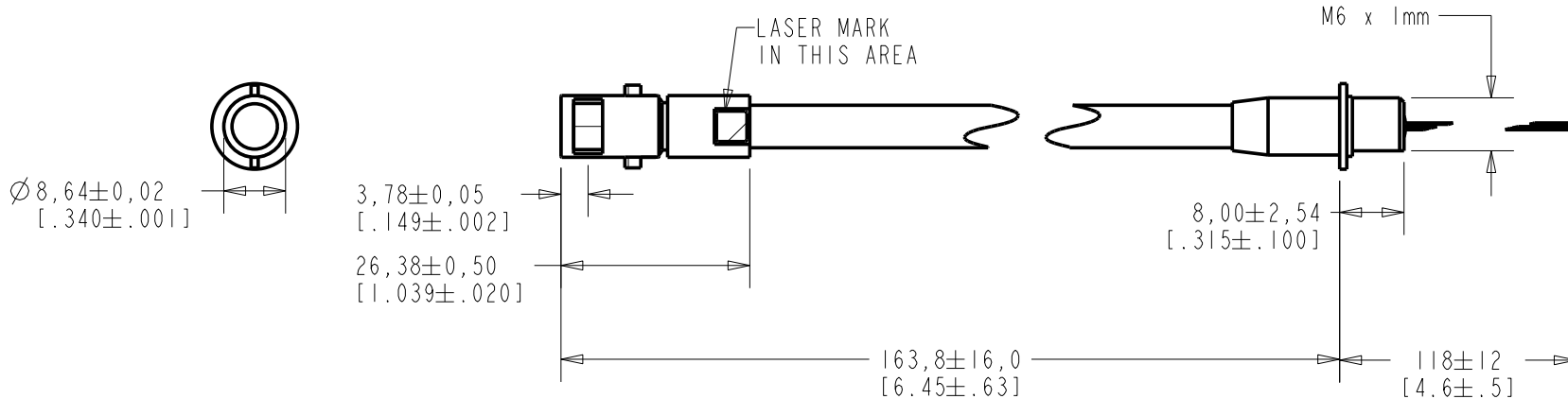
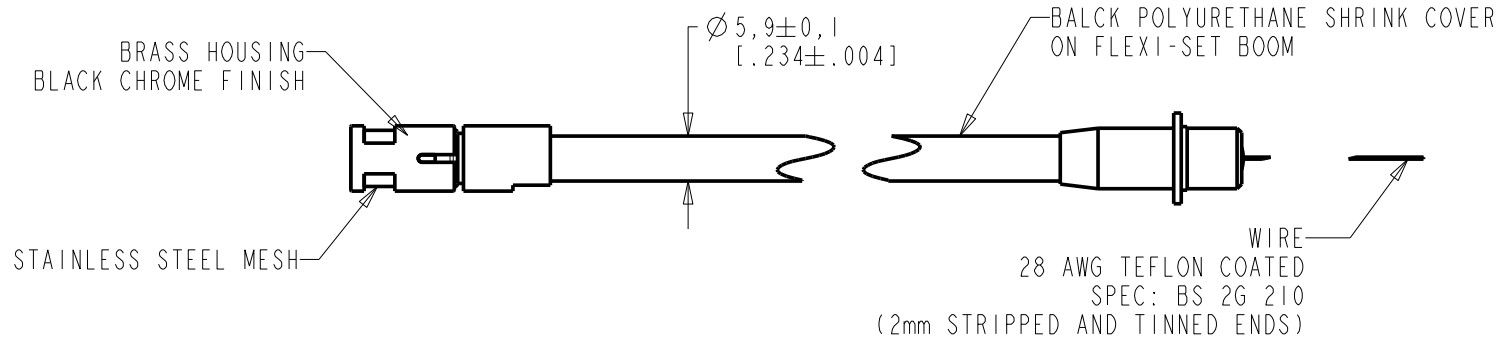


FB-CO-23532-L20
SHT 1.1



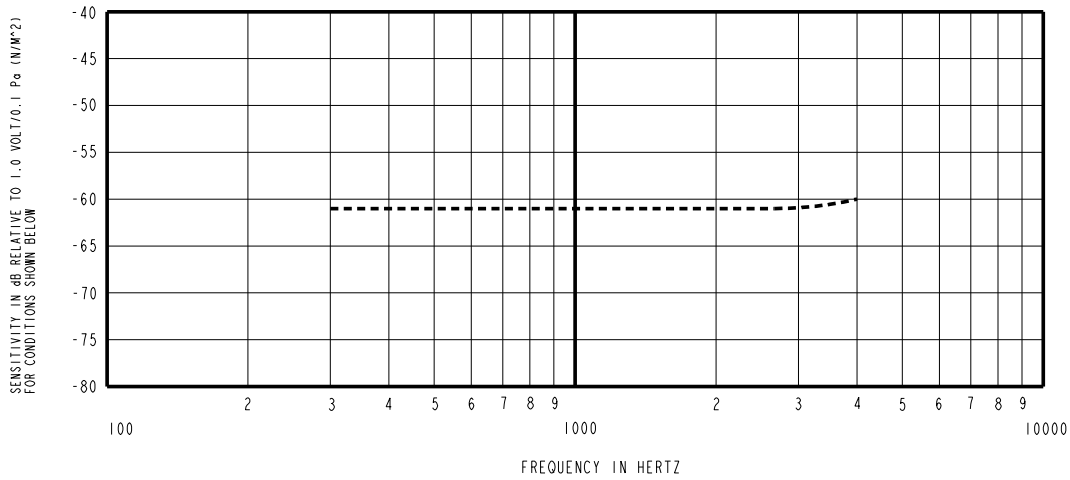
WIRE COLOR			WEIGHT GRAMS
+ve	-ve	SCREEN	
RED	BLACK	GREEN	28.8

DIMENSIONS IN MILLIMETERS [INCHES]

Revision	C.O. #	Implementation Date	RELEASE LEVEL	REVISION
E	C10107750	8-18-08	Active	E
D	C10106196	8-15-07		

SCALE:	1:1	DR. BY	DATE
DO NOT SCALE DRAWING		MMM	6-1-06
TITLE: BOOM MICROPHONE FB-CO-23532-L20		GJP	6-6-06
OUTLINE DRAWING		APP. BY	DATE
SHT 1.1		GJP	6-6-06

KNOWLES ELECTRONICS
ITASCA, ILLINOIS U.S.A.

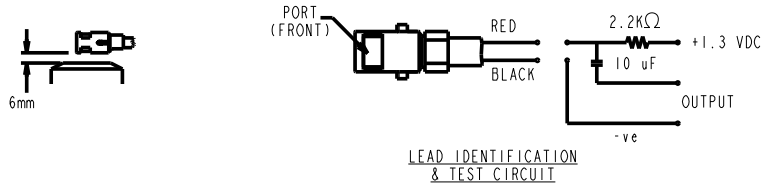


FREQUENCY	SENSITIVITY		
	MIN	NOM	MAX
300	-65.0	-61.0	-57.0
1000	-64.0	-61.0	-58.0
4000	-65.0	-61.0	-57.0

NOTES:

- MICROPHONE TO BE FUNCTIONAL WITH 10 VDC SUPPLY.
- SENSITIVITY VALUES INDICATED ON THIS SPECIFICATION ARE VALID AT 50% HUMIDITY.
- TEST CONDITIONS:
HEAD OF BOOM EXPOSED TO 94 dB SPL SWEPT SOUND FIELD AT 6mm FROM VOICE APERTURE.
ARTIFICIAL VOICE:
B & K 4227 MOUTH SIMULATOR.
- FOR MICROPHONE CAPSULE SPEC. SEE WP-23501-000 SHEET 2.1

CAPACITANCE $\pm 50\%$
POSITIVE TO NEGATIVE
100pF



Revision	C.O. #	Implementation Date	RELEASE LEVEL	REVISION
E	C10107750	8-18-08	Active	E
D	C10106196	8-15-07		

KNOWLES ELECTRONICS
ITASCA, ILLINOIS U.S.A.

WHEN TEST LIMITS ARE USED TO ESTABLISH INCOMING INSPECTION ACCEPTANCE/REJECTION CRITERIA, CORRELATION OF TEST EQUIPMENT WITH KNOWLES IS ALSO REQUIRED FOR ELIMINATION OF EQUIPMENT AND TEST METHOD VARIATION		DR. BY MMM	DATE 6-1-06
TITLE: BOOM MICROPHONE FB-CO-23532-L20		CK. BY GJP	DATE 6-6-06
PERFORMANCE SPECIFICATION		APP. BY GJP	DATE 6-6-06