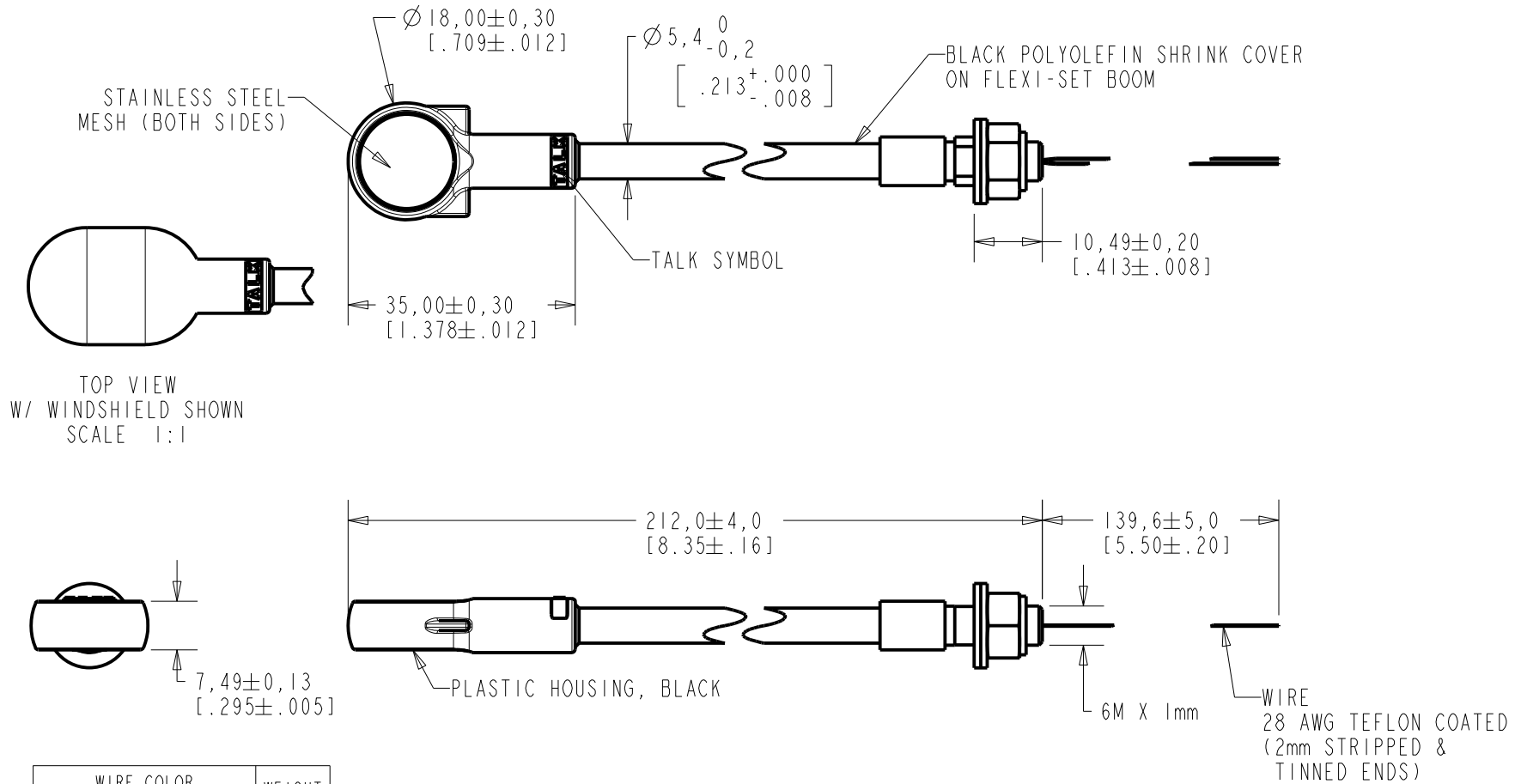


FB-EI-30026-000
SHT 1.1

NOTES:
1. LASER MARK, SEE WORK INSTRUCTION.



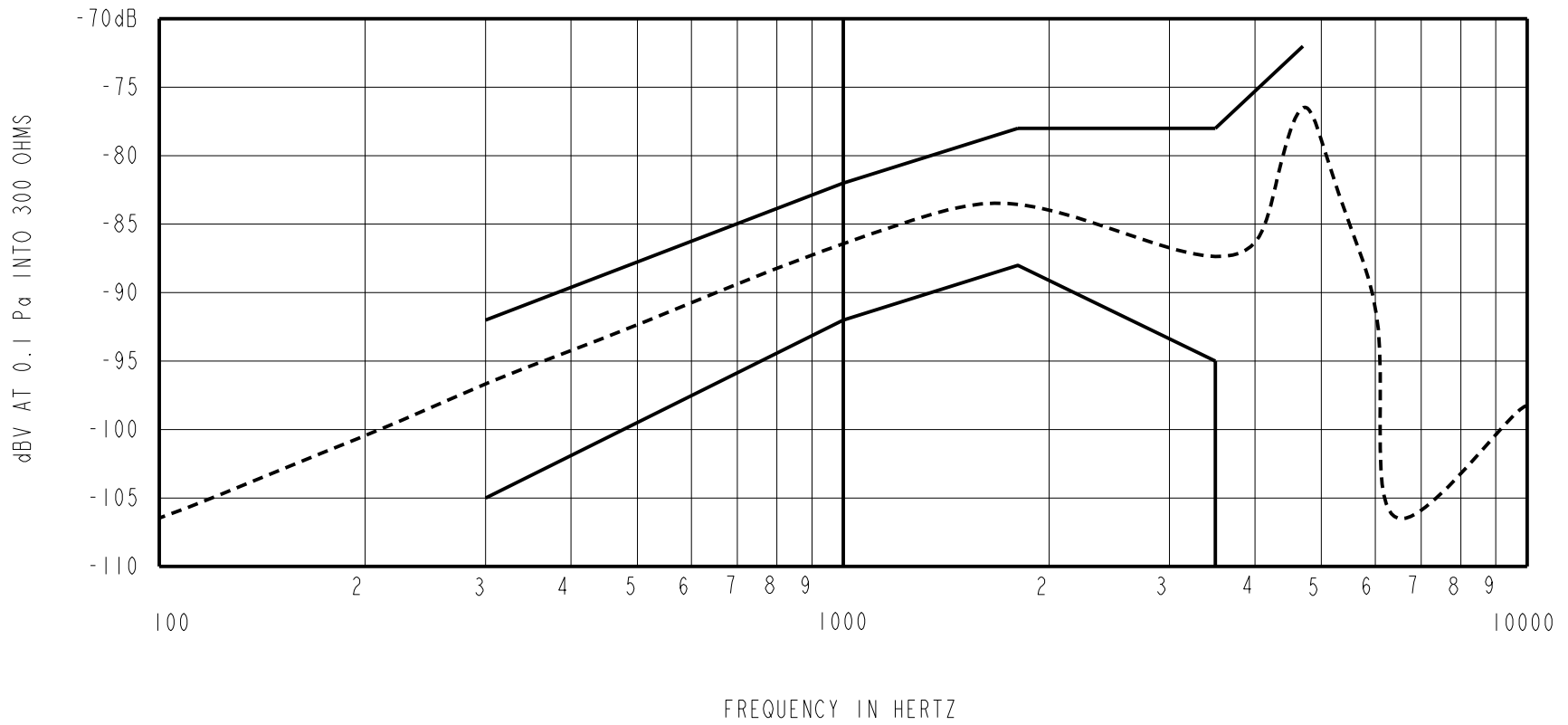
WIRE COLOR		WEIGHT GRAMS
+ve	OUTPUT	
RED	-	t.b.d.

DIMENSIONS IN MILLIMETERS [INCHES]

Revision	C.O. #	Implementation Date	RELEASE LEVEL	REVISION
			Active	G
G	C40100594	2-28-11		

KNOWLES ELECTRONICS
ITASCA, ILLINOIS U.S.A.

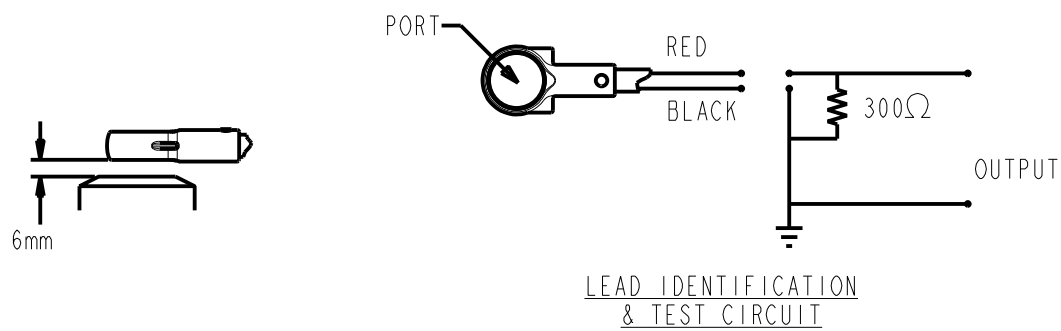
SCALE: 1:1	DR. BY: CRG	DATE: 4-28-08
DO NOT SCALE DRAWING	CK. BY: GJP	DATE: 8-4-06
TITLE: BOOM MICROPHONE	APP. BY: GJP	DATE: 8-4-06
OUTLINE DRAWING	FB-EI-30026-000 SHT 1.1	



NOTES:

1. SENSITIVITY VALUES INDICATED ON THIS SPECIFICATION ARE VALID AT 50% HUMIDITY.
2.

FREQUENCY	SENSITIVITY		
	NIN.	NOM.	MAX.
300	-105	-97.5	-92
1000	-92	-87	-82
1800	-88	-83	-78
3500	-95	-87.5	-78
4000	---	-86.5	---
4700	---	-76.5	-72
3. TEST CONDITIONS:
HEAD OF BOOM EXPOSED TO 94 dB SPL SWEPT
SOUND FIELD AT 6mm FROM VOICE APERTURE.
ARTIFICIAL VOICE:
B & k 4227 MOUTH SIMULATOR.
4. FOR MICROPHONE CAPSULE SPEC. SEE DRAWING BJ-28471-000 SHEET 2.1.



Revision	C.O. #	Implementation Date	RELEASE LEVEL	REVISION
			Active	G
G	C40100594	2-28-11		

WHEN TEST LIMITS ARE USED TO ESTABLISH INCOMING INSPECTION ACCEPTANCE/REJECTION CRITERIA, CORRELATION OF TEST EQUIPMENT WITH KNOWLES IS ALSO REQUIRED FOR ELIMINATION OF EQUIPMENT AND TEST METHOD VARIATION		DR. BY CRG	DATE 4-28-08
TITLE: BOOM MICROPHONE		GJP	8-4-06
PERFORMANCE SPECIFICATION		GJP	8-4-06
FB-EI-30026-000		SHT 2.1	

KNOWLES ELECTRONICS
ITASCA, ILLINOIS U.S.A.