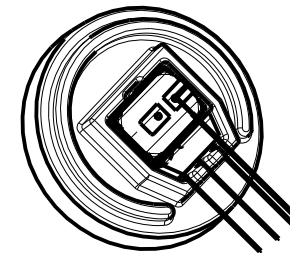
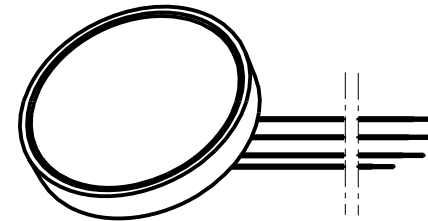
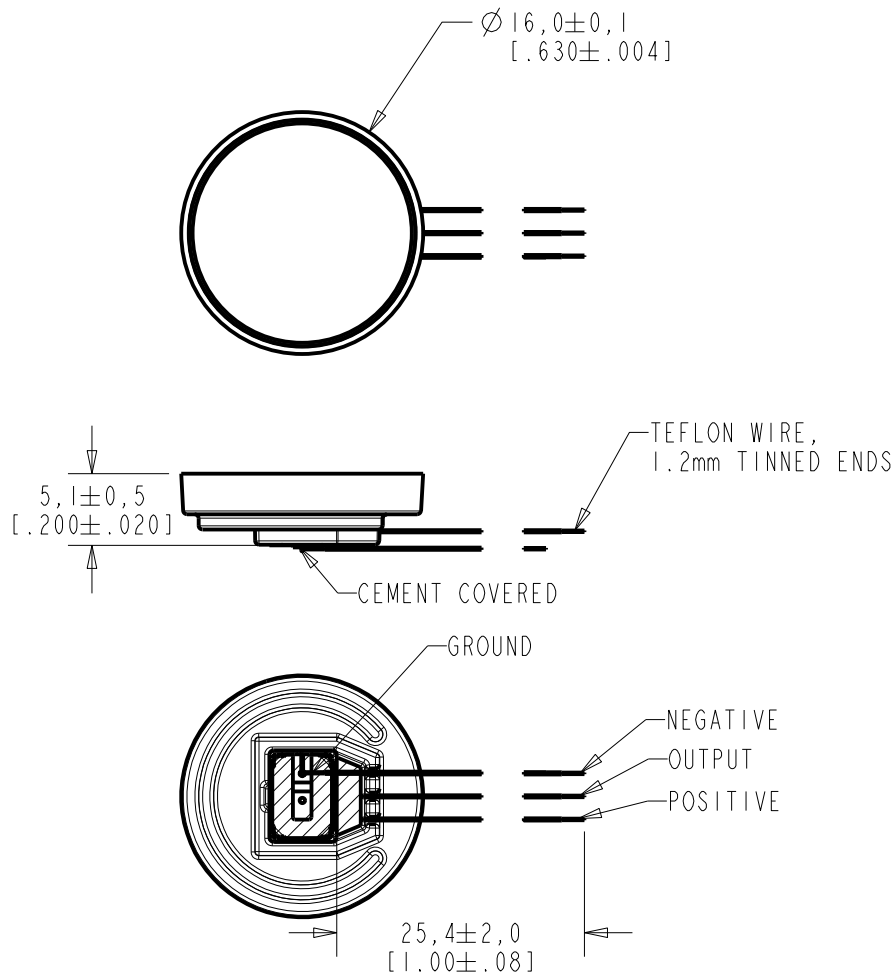


VEK-F-30470-000  
SHT 1.1



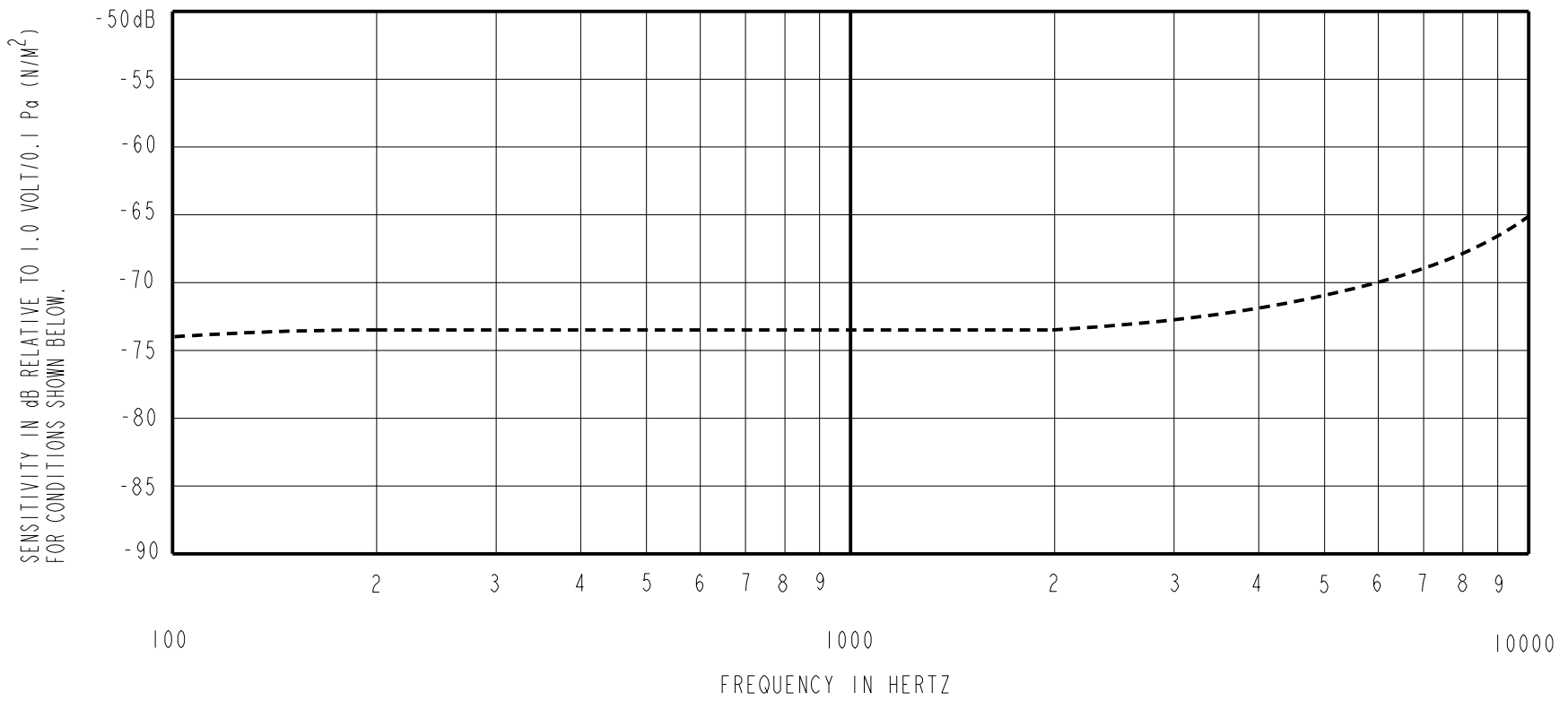
WIRE COLOUR				WEIGHT GRAMS
POSITIVE	OUTPUT	NEGATIVE	GROUND	---
RED	YELLOW	BLUE	GREEN	

DIMENSIONS IN MILLIMETERS [INCHES]

Revision	C.O. #	Implementation Date	RELEASE LEVEL	REVISION
C	C40100469	10-14-10	<b>Active</b>	<b>C</b>
B	C10107779	8-27-08		
A	C10107758	8-11-08		

**KNOWLES ELECTRONICS**  
ITASCA, ILLINOIS U.S.A.

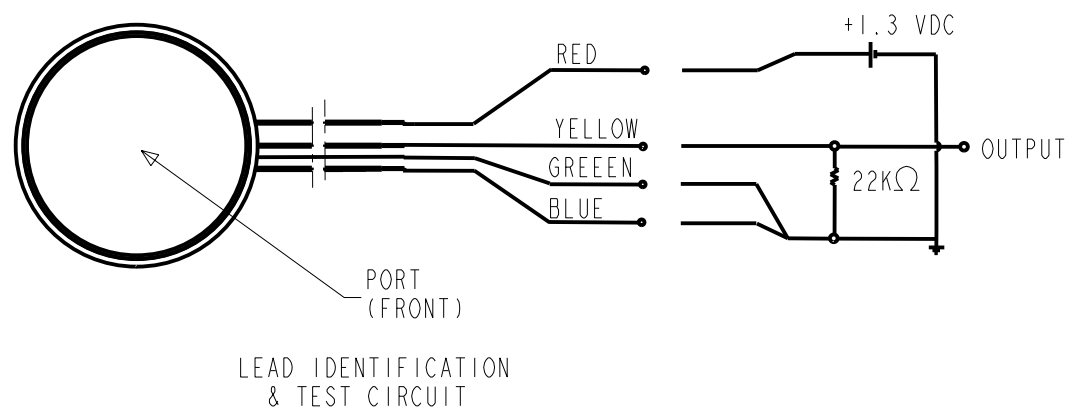
SCALE: <b>2:1</b>	DR. BY TT	DATE 8-27-08
DO NOT SCALE DRAWING	CK. BY GJP	DATE 9-11-08
TITLE: <b>WATERPROOF MICROPHONE&amp;CABLE</b>	APP. BY GJP	DATE 9-11-08
OUTLINE DRAWING	VEK-F-30470-000 SHT 1.1	



FREQUENCY	SENSITIVITY			DEVICE CONFORMITY	
	MIN.	NOM.	MAX.	RANGE OF DEVIATION FROM 1KHz	
100	---	-74.0	---	-4.0	+2.0
1000	-70.0	-73.0	-76.0	0.0	0.0
10000	---	-65.0	---	+3.0	+13.0

NOTES:

- MICROPHONE TO BE FUNCTION WITH 10 VDC SUPPLY.
- SENSITIVITY VALUES INDICATED ON THIS SPECIFICATION ARE VALID AT 50% HUMIDITY.
- TEST CONDITIONS:  
SEAL PRODUCT TO 74 dB SPL SWEPT  
SOUND FIELD CREATED BY VOICE APERTURE.  
ARTIFICIAL VOICE:  
B & k 4227 MOUTH SIMULATOR.
- FOR MICROPHONE CAPSULE SPEC. SEE DRAWING EK-26899-P58 SHEET 2.1.
- SURVIVES SUBMERSION IN 1m OF WATER FOR 30 MINUTES;  
SENSITIVITY WITHIN 3dB OF INITIAL SENSITIVITY AFTER DRIED  
FOR 30 MINUTES AT ROOM TEMPERATURE.
- CONNECT SHIELD WIRE TO NEGATIVE WIRE FOR TEST.



Revision	C.O. #	Implementation Date	RELEASE LEVEL	REVISION
C	C40100469	10-14-10	Active	C
B	C10107779	8-27-08		
A	C10107758	8-11-08		

**KNOWLES ELECTRONICS**  
ITASCA, ILLINOIS U.S.A.

WHEN TEST LIMITS ARE USED TO ESTABLISH INCOMING INSPECTION ACCEPTANCE/REJECTION CRITERIA, CORRELATION OF TEST EQUIPMENT WITH KNOWLES IS ALSO REQUIRED FOR ELIMINATION OF EQUIPMENT AND TEST METHOD VARIATION

TITLE: **WATERPROOF MICROPHONE & CABLE**  
PERFORMANCE SPECIFICATION

**VEK-F-30470-000**  
SHT 2.1

DR. BY	DATE
TT	8-27-08
CK. BY	DATE
GJP	9-11-08
APP. BY	DATE
GJP	9-11-08